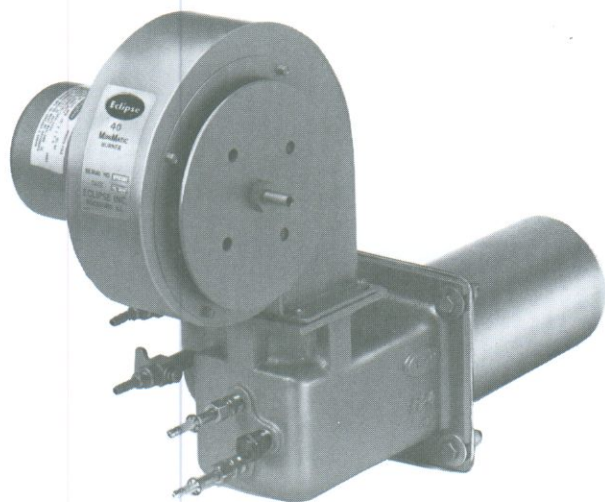


ECLIPSE MINIMATIC BURNERS

MODEL 40 MMB-FA



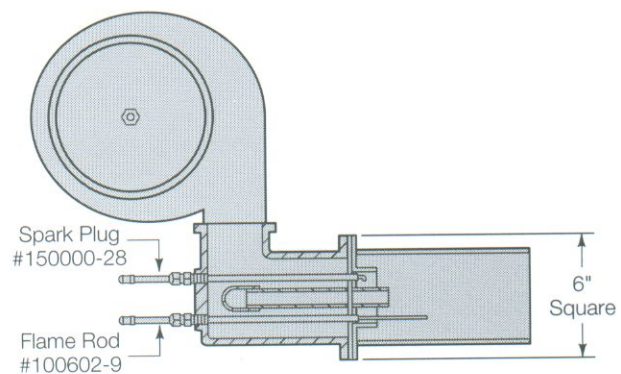
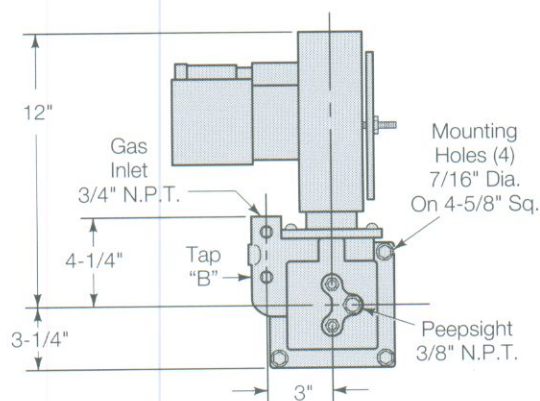
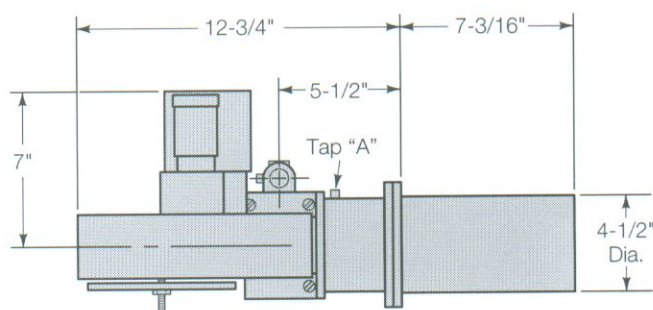
The Eclipse Minimatic burner is a compact packaged gas burner designed for fixed air operation at firing rates up to 400,000 Btu/hr. It is used in process air heating applications, such as ovens and dryers. The 40 MMB-FA Model features an adjustable air inlet damper for setting air flow in proportion with the desired burner firing rate.

CAUTION

It is dangerous to use any fuel burning equipment unless it is equipped with suitable flame sensing devices and automatic fuel shut-off valves. Eclipse can supply such equipment or information on alternate sources.

DIMENSIONS & SPECIFICATIONS

Capacities	Maximum: 400,000 Btu/hr. Minimum: 35,000 Btu/hr.
Turndown	Air: Fixed Gas: 11:1
Gas Pressure	2.2" w.c.
Motor	1/20 hp, 115 volt, 1550 rpm
Chamber Temp.	Maximum of 1200°F. Depending on the applications, higher temperatures are possible. Contact Eclipse for details.
Assembly No.	100608-1





Offered By:

Power Equipment Company
2011 Williamsburg Road
Richmond, Virginia 23231
Phone (804) 236-3800
Fax (804) 236-3882

www.peconet.com